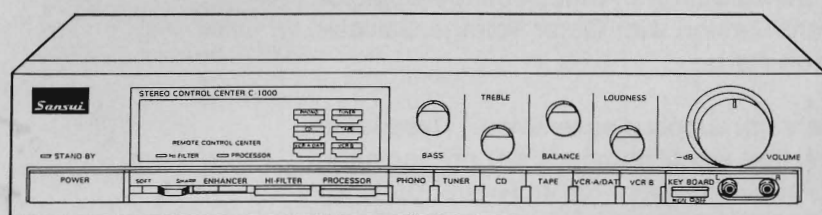


SERVICE MANUAL

STEREO CONTROL AMPLIFIER

SANSUI C-1000



CAUTION

1. Parts identified by the \triangle symbol on the schematic diagram and the parts list are critical for safety. Use only replacement parts that have critical characteristics recommended by the manufacturer.
2. Make leakage-current or resistance measurements to determine that exposed parts are acceptably insulated from the supply circuit before returning the appliance to the customer.

•SPECIFICATIONS

Input sensitivity and impedance (at 1 kHz)

PHONO 2.7 mV/47 kohms
(Max. input capability; 120 mV at 1 kHz, less than 0.1% total harmonic distortion)
CD 240 mV/47 kohms
TUNER, TAPE PLAY, VCR-A/B, KEYBOARD, PROCESSOR

..... 170 mV/47 kohms

Output level and impedance (1,000 Hz)

TAPE REC 120 mV/4.7 kohms
OUTPUT 1V/1.5 kohms
(Max. output level; 6V at 1 kHz, less than 0.1% total harmonic distortion)

Total harmonic distortion (20 Hz to 20 kHz)

CD, TUNER, TAPE PLAY, VCR-A/B, KEYBOARD, PROCESSOR

..... less than 0.03%

Frequency response (at 0.5V)

PHONO (RIAA curve deviation)
..... 30 Hz ~ 15 kHz ± 0.2 dB
CD, TUNER, TAPE PLAY, VCR-A/B, KEYBOARD, PROCESSOR

..... 10 Hz ~ 100 kHz +1, -3 dB

Signal to noise ratio (short-circuit, A-network)

PHONO 75 dB
CD, TUNER, TAPE PLAY, VCR-A/B, KEYBOARD, PROCESSOR

..... 110 dB

Controls and Filter

BASS ± 8 dB at 50 Hz
TREBLE ± 8 dB at 10 kHz
HI-FILTER -3 dB at 7 kHz (6 dB/oct)
LOUDNESS +6 dB at 50 Hz
(VOLUME: -30 dB position) +5 dB at 10 kHz

Power requirements

Power voltage 120/220/240V (50/60 Hz)
For U.S.A. & Canada .. 120V (60 Hz)
Power consumption 10 watts

Dimensions 430 mm (16-15/16") W
92 mm (3-5/8") H
238 mm (9-3/8") D

Weight 3.2 kg (7.1 lbs) net
4.2 kg (9.3 lbs) packed

* Design and specifications subject to changes without notice for improvements.

* Due to local laws and regulations, this unit sold in some areas are not equipped with variable voltage selectors.

Sansui

SANSUI ELECTRIC CO., LTD.

NOTE

1. The symbols, UL, CSA, SA, BS, UK, EU, AS, SEV, SS, XX <EXPORT> and XX-V <EXPORT(V)> on the parts list and the schematic diagram mean followings respectively.
 - UL..... Manufactured for U.S.A market.
(Underwriters Laboratories approved model.)
 - CSA Manufactured for Canadian market.
 - SA..... Manufactured for South African market.
 - BS, UK Manufactured for United Kingdom market.
 - EU Manufactured for European market.
 - AS..... Manufactured for Australian market.
 - SEV Manufactured for Swiss market.
 - SS..... Manufactured for Saudi Arabian market.
 - XX <EXPORT> Standard Version with Inner Voltage Selector.
 - XX-V <EXPORT(V)> .. Standard Version with Outer Voltage Selector.
 - NON MARK Common Parts.

2. Some printed circuit boards are not supplied assembled. To separate these in this service manual, the stock numbers are not indicated for these boards. However, stock numbers for individual parts are indicated.

3. Since some capacitors and resistors are omitted from parts lists in this service manual, refer to the Common Parts List for capacitors and resistors, which was issued on February 1983.

4. Abbreviations in this service manual are as follows.

•Abbreviations List

C.R. : Carbon Resistor	E.B.L. : Low Leak Bi-Polar
S.R. : Solid Resistor	Electrolytic Capacitor
Ce.R. : Cement Resistor	Ta.C. : Tantalum Capacitor
M.R. : Metal Film Resistor	F.C. : Film Capacitor
F.R. : Fusing Resistor	M.P. : Metalized Paper Capacitor
N.I.R. : Non-Inflammable Resistor	P.C. : Polystyrene Capacitor
A.R. : Array Resistor	G.C. : Gimmic Capacitor
C.C. : Ceramic Capacitor	A.C. : Array Capacitor
C.T. : Ceramic Capacitor,	V.R. : Variable Resistor
Temperature Compensation	S.V.R. : Semi Variable Resistor
E.C. : Electrolytic Capacitor	SW. : Switch
E.L. : Low Leak Electrolytic	Chip R. : Chip Resistor
Capacitor	Chip C. : Chip Capacitor
E.B. : Bi-Polar Electrolytic	
Capacitor	

1. PARTS LIST OF BOARD

1-1. F-5790 Video Input Board (Stock No. 01047501)

Parts No.	Stock No.	Description
oZ6	83012200	1P Terminal, MONITOR·VCR-A/DAT·VCR-B
•Transistor		
rQ1	46367101	2SC2603
rQ2	46202901	2SC1674
rQ3	46367101	2SC2603
rQ4	46367101	2SC2603
rQ5	46202901	2SC1674
rQ6	46367101	2SC2603
rQ7	46367001	2SA1115
rQ8	46367101	2SC2603
rQ9	46367101	2SC2603
rQ10	46202901	2SC1674
rQ11	46367101	2SC2603
rQ12	46202901	2SC1674
rQ13	46202901	2SC1674
rQ14	46202901	2SC1674
•IC		
rIC1	46255000	LC4066BH
•Diode		
rD1	83000100	1N4148
rD2	83000100	1N4148
rLF1	48336600	Filter
rL1	46205000	Inductor 68UH

1-2. F-5791 Volume Board (Stock No. 01047601)

Parts No.	Stock No.	Description
•IC		
jIC2	07233100	BA6109
•Zener Diode		
jDZ2	46111500 or 46825000	05Z5.6-Y RD5.6E-B2
jVR2	48847300	150k Ω (B) V.R. with Motor VOLUME

1-3. F-5792 Volume LED Board

Parts No.	Stock No.	Description
•LED		
nLD10	48841100	SEL3110S VOLUME

1-4. F-5787 Control Board

Parts No.	Stock No.	Description
jVR1	83012900	150k Ω (C) V.R., LOUDNESS
jVR3	83013000	250k Ω V.R., BALANCE
jVR4	83012800	50k Ω (C) V.R., BASS
jVR5	83012800	50k Ω (C) V.R., TREBLE
•LED		
nLD1	48841300	SEL3813A, PHONO
nLD2	48841300	SEL3813A, TUNER
nLD3	48841300	SEL3813A, CD
nLD4	48841300	SEL3813A, TAPE
nLD5	48841300	SEL3813A, VRC-A/DAT
nLD6	48841300	SEL3813A, VCR-B

1-5. F-5788 Logic Control Board (Stock No. 01047301)

Parts No.	Stock No.	Description
•IC		
wIC1	48159100	LA7224
wPD1	48268800	Photo Diode PD49PI
wL1	83020600	Coil (38kHz)

1-6. F-5789 Power Sw., Board

Parts No.	Stock No.	Description
•LED		
nLD7	48849300	SEL3913K, POWER
nLD8	48835400	SEL2910A, HI-FILTER
	or 48836000	TLY123, HI-FILTER
nLD9	48835400	SEL2910A, PROCESSOR
	or 48836000	TLY123, PROCESSOR
nLD11	46176900	TLS-123, SENSOR
	or 46470200	SEL2210S, SENSOR
nLD12	07250900	TLG-123A, STAND-BY
	or 46470300	SEL2410E, STAND-BY
△oS4	48061700	Push SW., POWER
rVR1	83012500	5k Ω (B) V.R., ENHANCER

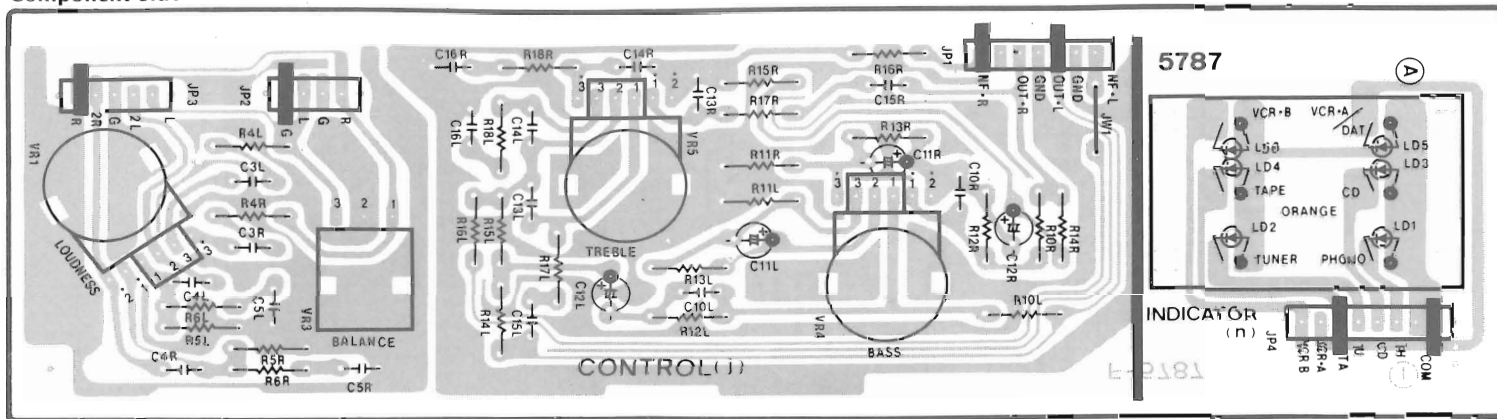
1-7. F-5786 Main Board (Stock No. 01047101)

Parts No.	Stock No.	Description	Parts No.	Stock No.	Description
•IC			•Zener Diode		
iIC1	46078900	M5218L	nDZ1	46108400	05Z2.0-X
•Transistor			or	46811200	RD2.0E-B
jQ1	46540801	2SC2878	•Transistor		
or	46604301	2SC3327	oQ1	46367101	2SC2603
jQ2	46367101	2SC2603	or	46367301	2SC2458
or	46367301	2SC2458	oQ2	46367001	2SA1115
jQ3	46367001	2SA1115	or	46367201	2SA1048
or	46367201	2SA1048	oQ3	46367001	2SA1115
•IC			or	46367201	2SA1048
jiC1	46147700	M5218L	oQ4	46367001	2SA1115
•Diode			or	46367201	2SA1048
jd1	83000100	1N4148	oQ5	46367001	2SA1115
•Zener Diode			or	46367201	2SA1048
jdZ1	46111200	05Z5.1-Y	oQ6	46367001	2SA1115
or	46824700	RD5.1E-B2	or	46367201	2SA1048
•Transistor			oQ7	46367001	2SA1115
mQ1	46359801	2SC2001	or	46367201	2SA1048
or	48000901	2SC2060	oQ8	46367101	2SC2603
mQ2	46367101	2SC2603	or	46367301	2SC2458
or	46367301	2SC2458	oQ9	46367101	2SC2603
mQ3	46359701	2SA952	or	46367301	2SC2458
or	48000801	2SA934	oQ10	46367001	2SA1115
mQ4	46367001	2SA1115	or	46367201	2SA1048
or	46367201	2SA1048	•IC		
•IC			oIC1	46255000	LC4066BH
miC1	48470100	μPC78M12H	oIC2	46255000	LC4066BH
•Diode			oIC3	46255000	LC4066BH
mD1	83005000	1N4002	oIC4	46255000	LC4066BH
mD2	83005000	1N4002	oIC5	48075200	LC4019B
mD3	83005000	1N4002	or	48717500	μPD4019BC
mD4	83005000	1N4002	oIC6	48667900	μPD7507CU-230
mD5	83005000	1N4002	or	48667910	μPD7507CU-238
mD6	83005000	1N4002	oXO1	83024400	Quartz Element
mD7	83005000	1N4002	•Diode		
mD8	83005000	1N4002	oD1	83000100	1N4148
mD9	83005000	1N4002	oD2	83000100	1N4148
mD10	83005000	1N4002	oD3	83000100	1N4148
mD11	83005000	1N4002	oD4	83000100	1N4148
•Zener Diode			oD5	83000100	1N4148
mDZ1	46113900	05Z12-Y	oD6	83000100	1N4148
or	46827600	RD12E-B3	•Zener Diode		
mDZ2	46111200	05Z5.1-Y	oDZ1	46112700	05Z8.2-Y
or	46824700	RD5.1E-B2	oDZ2	46112700	05Z8.2-Y
mRL1	48449700	Relay	oDZ3	46112700	05Z8.2-Y
•Transistor			oDZ4	46112700	05Z8.2-Y
nQ1	46367101	2SC2603	oDZ5	46112700	05Z8.2-Y
or	46367301	2SC2458	oDZ6	46112700	05Z8.2-Y
nQ2	46367101	2SC2603	oS1	83012000	Push SW., PROCESSOR
or	46367301	2SC2458	oS2	83012100	Push SW., KEYBOARD
nQ3	46367101	2SC2603	oS3	83012000	Push SW., HI-FILTER
or	46367301	2SC2458	oS5	83013100	Push SW., VCR-A/DAT
nQ4	46367001	2SA1115	oS6	83013100	Push SW., VCR-B
or	46367201	2SA1048	oS7	83013100	Push SW., PHONO
nQ5	46367101	2SC2603	oS8	83013100	Push SW., TUNER
or	46367301	2SC2458	oS9	83013100	Push SW., CD
nQ6	46367001	2SA1115	oS10	83013100	Push SW., TAPE
or	46367201	2SA1048	oS11	83012700	Slide SW., MODE
•Diode			oS12	83012700	Slide SW., MODE
nD1	83000100	1N4148	oJ1	83012600	Jack, COMPU
nD2	83000100	1N4148	oZ1	48313900	ST Socket (10 Pin) SYSTEM CONTROL
nD3	83000100	1N4148	oZ2	83003900	2P Terminal, PHONO.AUDIO. OUTPUT
nD4	83000100	1N4148	oZ3	83004300	4P Terminal, TUNER.CD.TAPE. VCR-A/DAT PROCESSOR
			oZ4	83012400	1P Terminal, KEYBOARD
			oZ5	83012300	1P Terminal, KEYBOARD
			pC1	48733500	0.01μF 400V C.C.

2. PARTS LOCATION ON BOARD

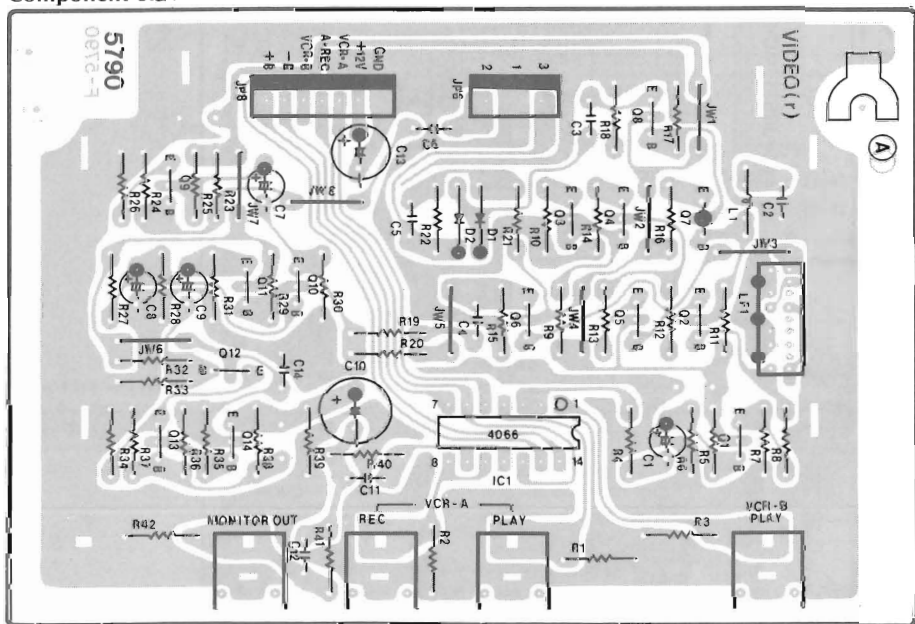
2-1. F-5787 Control Board

Component Side



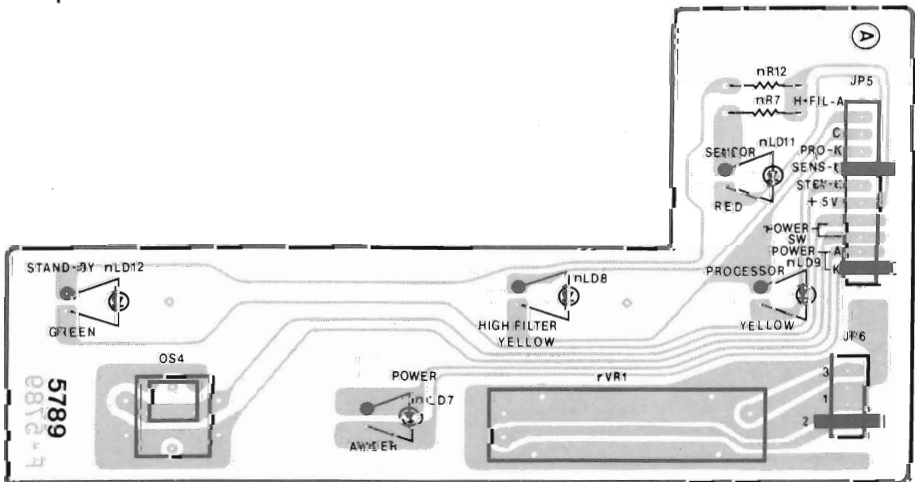
2-2. F-5790 Video Input Board

Component Side



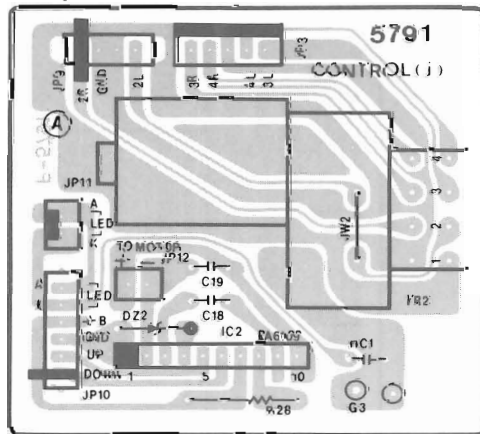
2-3. F-5789 Power Sw., Board

Component Side



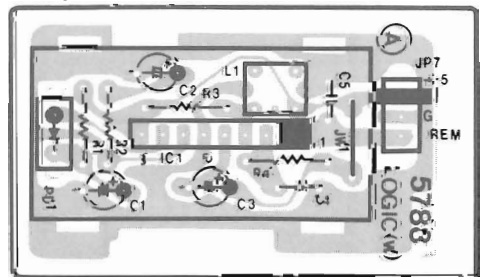
2-4. F-5791 Volume Board

Component Side



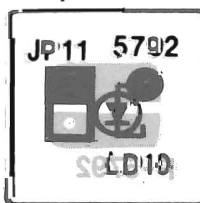
2-5. F-5788 Logic Control Board

Component Side

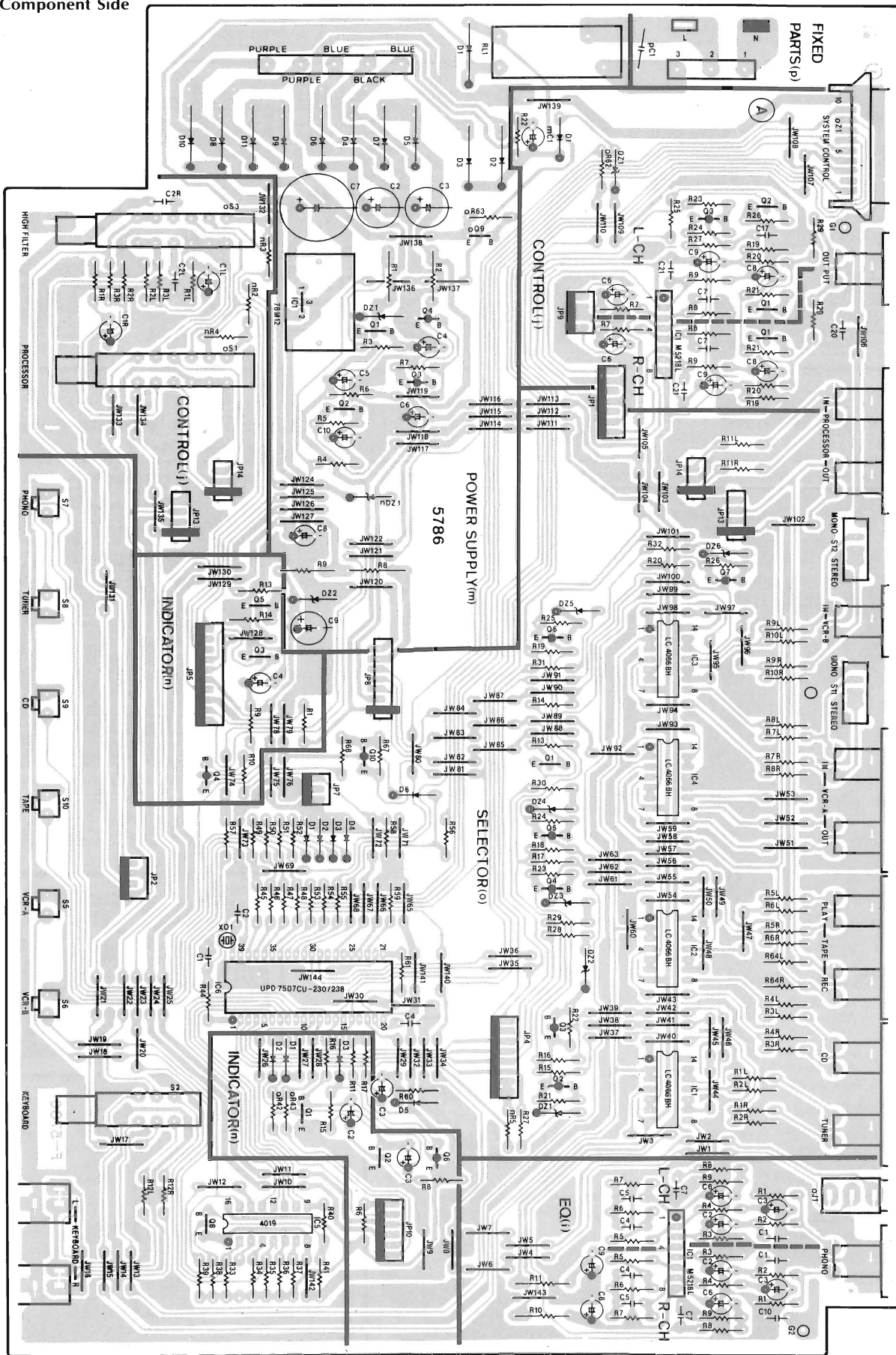


2-6. F-5792 Volume LED Board

Component Side

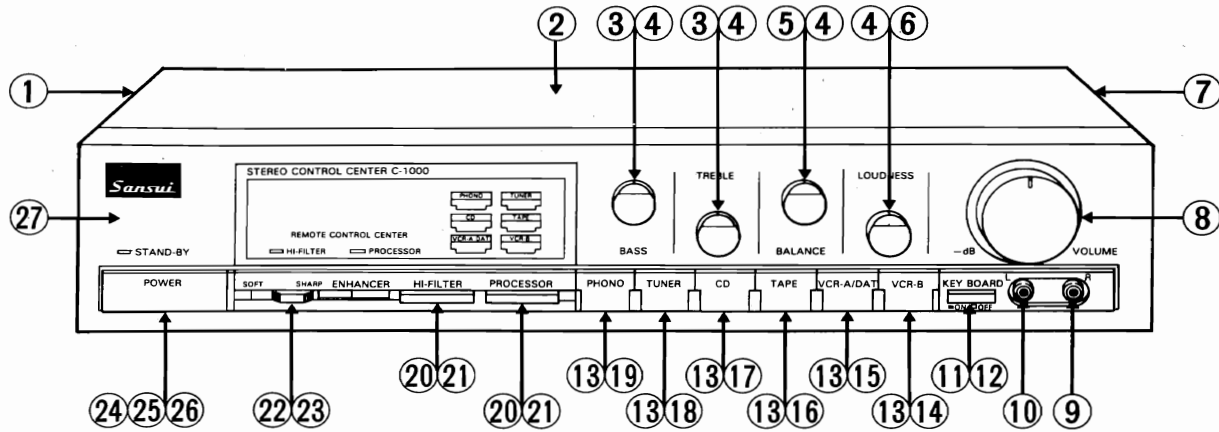


2-7. F-5786 Main Board Component Side

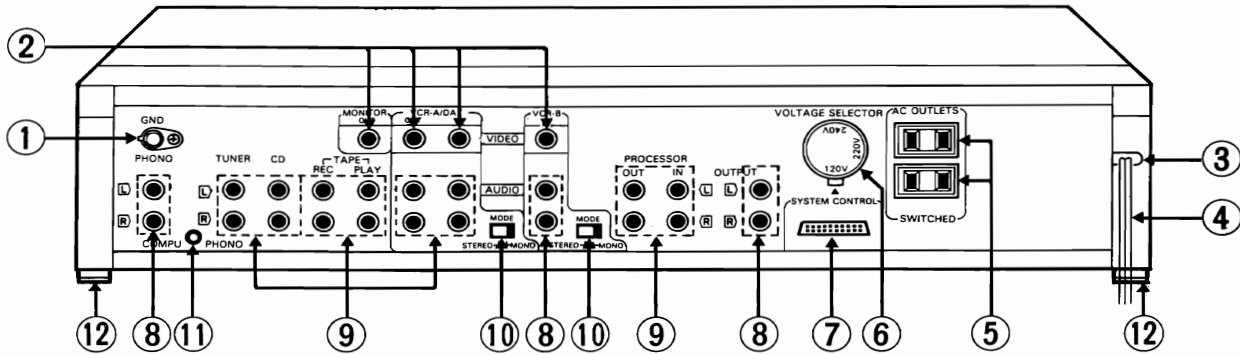


3. OTHER PARTS

3-1. Front View



3-2. Rear View



Parts List < Front View >

Parts No.	Stock No.	Description
1	84512300	Side Panel, Left (XX-V•SS)
	84520100	Side Panel, Left (UL.CSA)
2	84504000	Bonnet
3	83012800	50kΩ VR., BASS.TREBLE
4	84510500	Knob, BASS.TREBLE.BALANCE.LOUDNESS
5	83013000	250kΩ VR., BALANCE
6	83012900	150kΩ VR., LOUDNESS
7	84512200	Side Panel, Right (XX-V•SS)
	84520000	Side Panel, Right (UL.CSA)
8	84532700	Knob Assy VOLUME
9	83012400	IP Terminal with SW., R
10	83012300	IP Terminal with SW., L
11	84510700	Push Knob, KEYBOARD
12	83012100	Push SW., KEYBOARD
13	83013100	Push SW., PHONO.TUNER.CD.TAPE.VCR-A/DAT.VCR-B
14	84516500	Push Knob, VCR-B
15	84516400	Push Knob, VCR-A/DAT
16	84516300	Push Knob, TAPE
17	84516200	Push Knob, CD
18	84516100	Push Knob, TUNER
19	84516000	Push Knob, PHONO
20	83012000	Push SW., HI-FILTER.ROCESSOR
21	84508900	Push Knob, HI-FILTER.ROCESSOR
22	83012500	5kΩ Slide VR., ENHANCER
23	84510600	Slide Knob, ENHANCER
24	84517800	Push Knob, POWER
25	84505100	Spring, POWER
△26	48061700	Push SW., POWER
27	37500201	Front Panel Assy (XX)
	37500202	Front Panel Assy (UL.CSA)

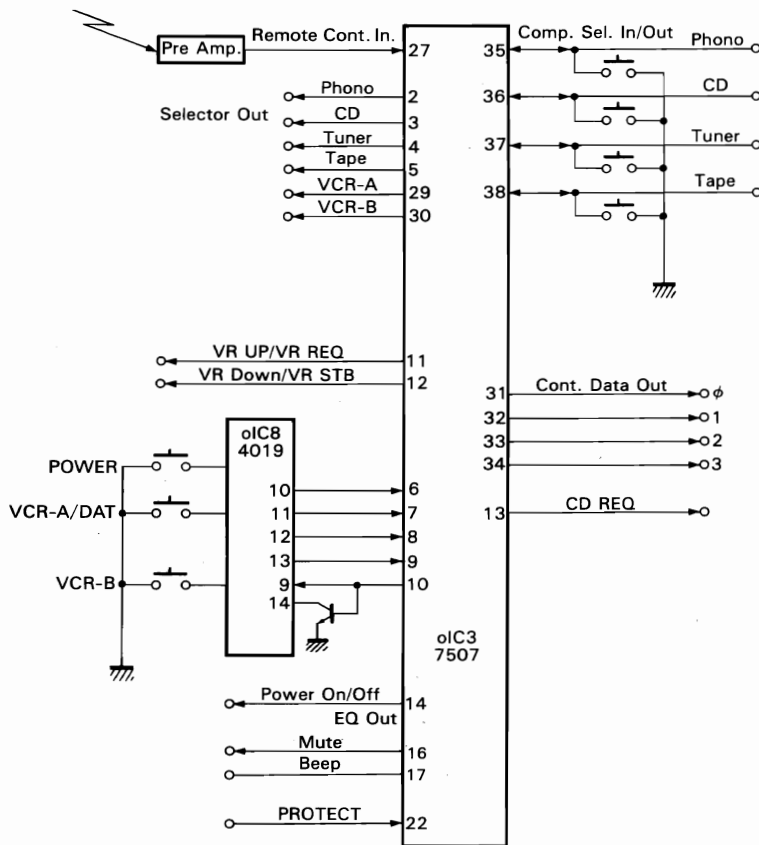
Parts No.	Stock No.	Description
△	83011909	Power Transformer with VOLTAGE SELECTOR Socket (XX-V•SS)
△	83011902	Power Transformer (UL.CSA)

Parts List < Top View >

Parts No.	Stock No.	Description
1	22301510	Ground Terminal
2	83012200	IP Terminal, MONITOR, VCR-A/DAT VIDEO, VCR-B VIDEO
3	84514000	AC Cord Cover
△4	83024500	Power Supply Cord (XX-V)
	or 83024600	Power Supply Cord (XX-V)
△	48837700	Power Supply Cord (SS)
△	83024600	Power Supply Cord (UL.CSA)
△5	83004100	AC outlet (XX-V•SS)
△	83002200	AC Outlet-Polarized (XX-V•SS)
△	83002200	AC Outlet (UL.CSA)
6	48175200	Plug, VOLTAGE SELECTOR (XX-V•SS)
7	48313900	10P System Control Terminal
8	83003900	2P Terminal, OUTPUT VCR-B AUDIO.PHONO
9	83004300	4P Terminal, PROCESSOR.VCR-A/DAT AUDIO.TAPE.TUNER
10	83012700	Slid SW., MODE
11	83012600	Mini Jack, COMPU PHONO
12	84527700	Leg

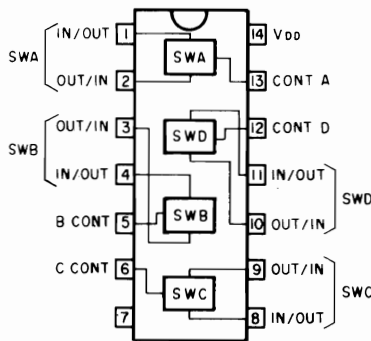
4. INTERIOR BLOCK DIAGRAM & TERMINAL FUNCTION OF IC μ PD7507

• μ PD7507 (System Control)

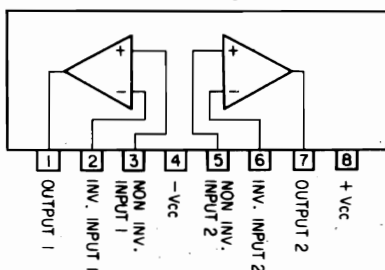


Pin No.	i/O	Description	Active	
			H	L
2	O	Selector Out 0 Phono.		○
3	O	Selector Out 1 CD.		○
4	O	Selector Out 2 Tuner.		○
5	O	Selector Out 3 Tape.		○
10	O	oIc5 (4019).	○	
11	O	Volume Up.		○
12	O	Volume Down.		○
13	O	CD REQ Out.	○	
6	i	Sw/EQ.		○
8	i	Compu Sel. VCR-A.		○
9	i	Compu Sel. VCR-B.		○
14	O	Power On/Off.	On	Off
16	O	Mute	On	Off
17	O	Beep		
27	i	Serial data in.		
29	O	Selector VCR-A.		○
30	O	Selector VCR-B.		○
31	O	Control Data Out 0. Data Out.	○	
32	O	Control Data Out 1. Data Out.	○	
33	O	Control Data Out 2. Data Out.	○	
34	O	Control Data Out 3. Data Out.	○	
35	i/O	Compu Selector In/Set Selector Out 0 Phono.		○
36	i/O	Compu Selector In/Set Selector Out 1 CD.		○
37	i/O	Compu Selector In/Set Selector Out 2 Tuner.		○
38	i/O	Compu Selector In/Set Selector Out 3 Tape.		○
22	i	Protect	○	

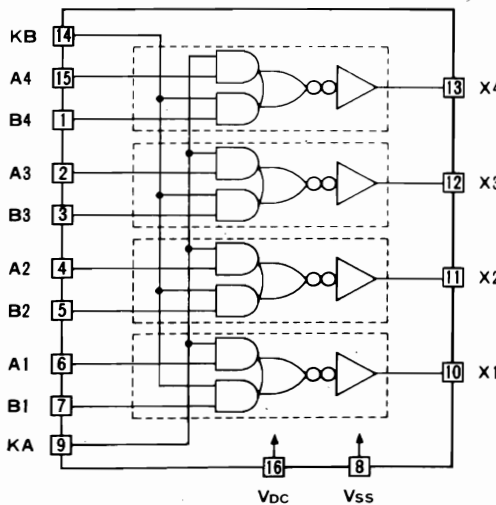
•LC4966/LC4066BH (Analog SW.,)



•M5218L (OP Amp.)



•LC4019B/ μ PD4019B (Quad AND-OR Select Gate)



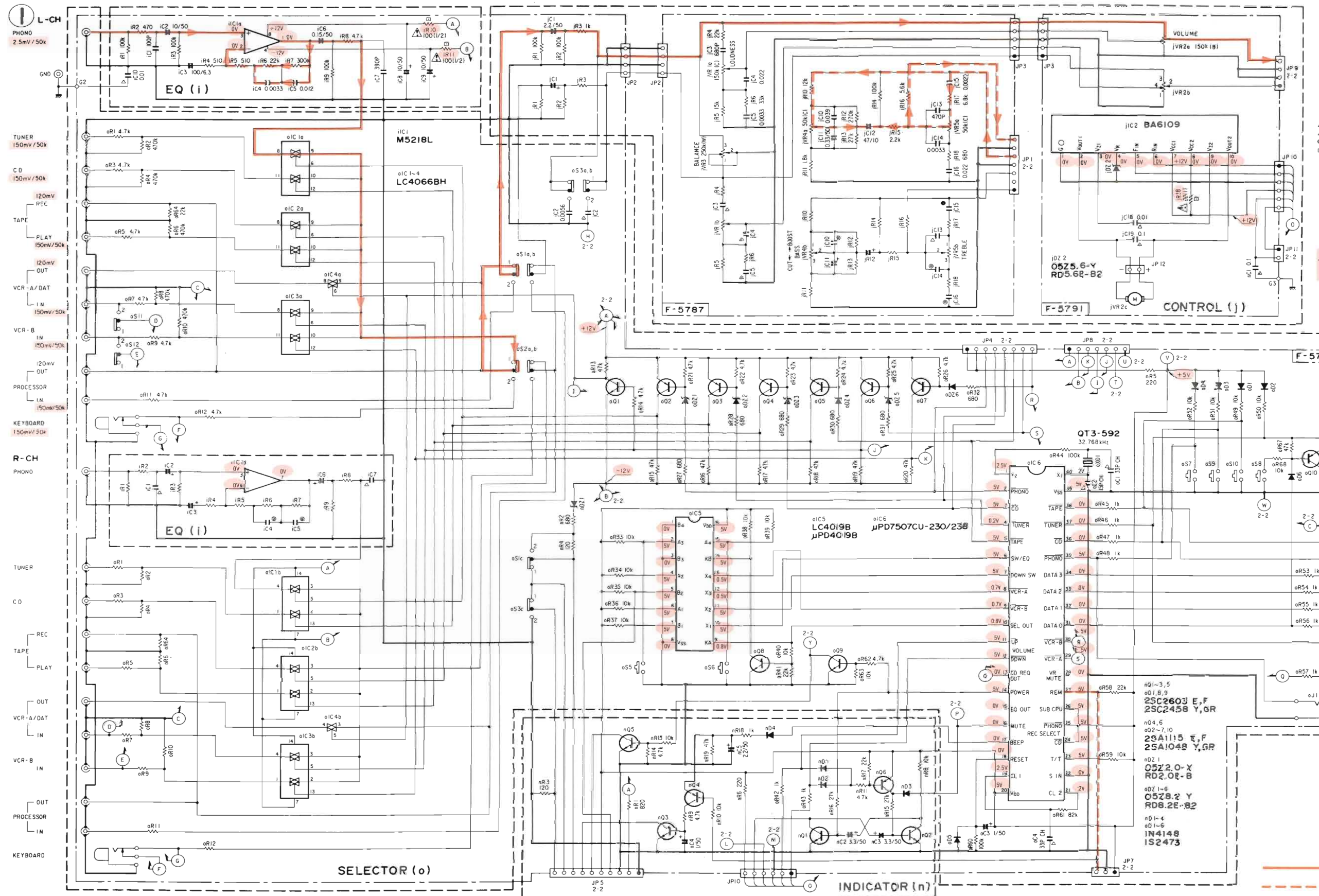
•Truth Table

An	Bn	KA	KB	Xn
0	0	1	0	0
1	0	1	0	1
0	1	1	0	0
1	1	1	0	1
0	0	0	1	0
1	0	0	1	0
0	1	0	1	1
1	1	0	1	1
0	0	1	1	0
1	0	1	1	1
0	1	1	1	1
1	1	1	1	1
*	*	0	0	0

1 : "Hi"
0 : "Lo"
* : don't care
n = 1 ~ 4

5. SCHEMATIC DIAGRAM 5-1. EQ. SW., Control AMP. Section

Design and specifications subject to change without notice for improvement.
 La présentation et les spécifications sont susceptibles d'être modifiées sans préavis par suites d'améliorations éventuelles.
 Änderungen, die dem technischen Fortschritt dienen, bleiben vorbehalten.



SYMBOL OF FUNCTION
 (i) EQ
 (j) CONTROL
 (n) INDICATOR
 (o) SELECTOR

SYMBOL
 △ Ceramic Capacitor
 ▽ Barrier Layer Capacitor
 ● Film Capacitor
 □ Non Inflammable Resistor

RESISTORS
 Are in ohms, 1/4 Watts, ±5% Tolerance
 Unless Otherwise Noted. k: kΩ, M: MΩ

CAPACITORS
 Are in μF, Unless Otherwise Noted p: pF

Electrolytic Capacitor
 Capacitance (μF) / Volt (V)

Each D.C. Voltage shows the nominal value in volts at no input signal.

⚠ is Safety Part
 Use only replacement parts recommended by the manufacturer

- 2SA934
- 2SA952
- 2SC2001
- 2SC2060
- 2SC2878
- 2SA1048
- 2SA1115
- 2SC2458
- 2SC2603
- 2SC3327

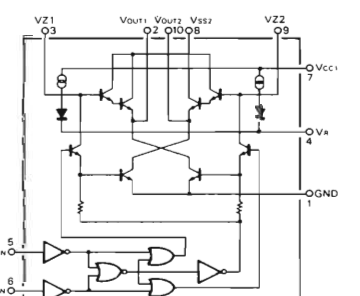


- oS1 PROCESSOR
 1 OFF 2 ON
- oS2 KEYBOARD
 1 OFF 2 ON
- oS3 HIGH FILTER
 1 OFF 2 ON
- oS5 VCR-A/DAT
 1 OFF 2 ON
- oS6 VCR-B
 1 OFF 2 ON
- oS7 PHONO
 1 OFF 2 ON
- oS8 TUNER
 1 OFF 2 ON
- oS9 CD
 1 OFF 2 ON
- oS10 TAPE
 1 OFF 2 ON
- oS11,12 MODE
 1 STEREO 2 MONO

•BA6109 (Motor Driver)

FIN	RIN	Vout1	Vout2
1	1	L	L
0	1	L	H
1	0	H	L
0	0	L	L

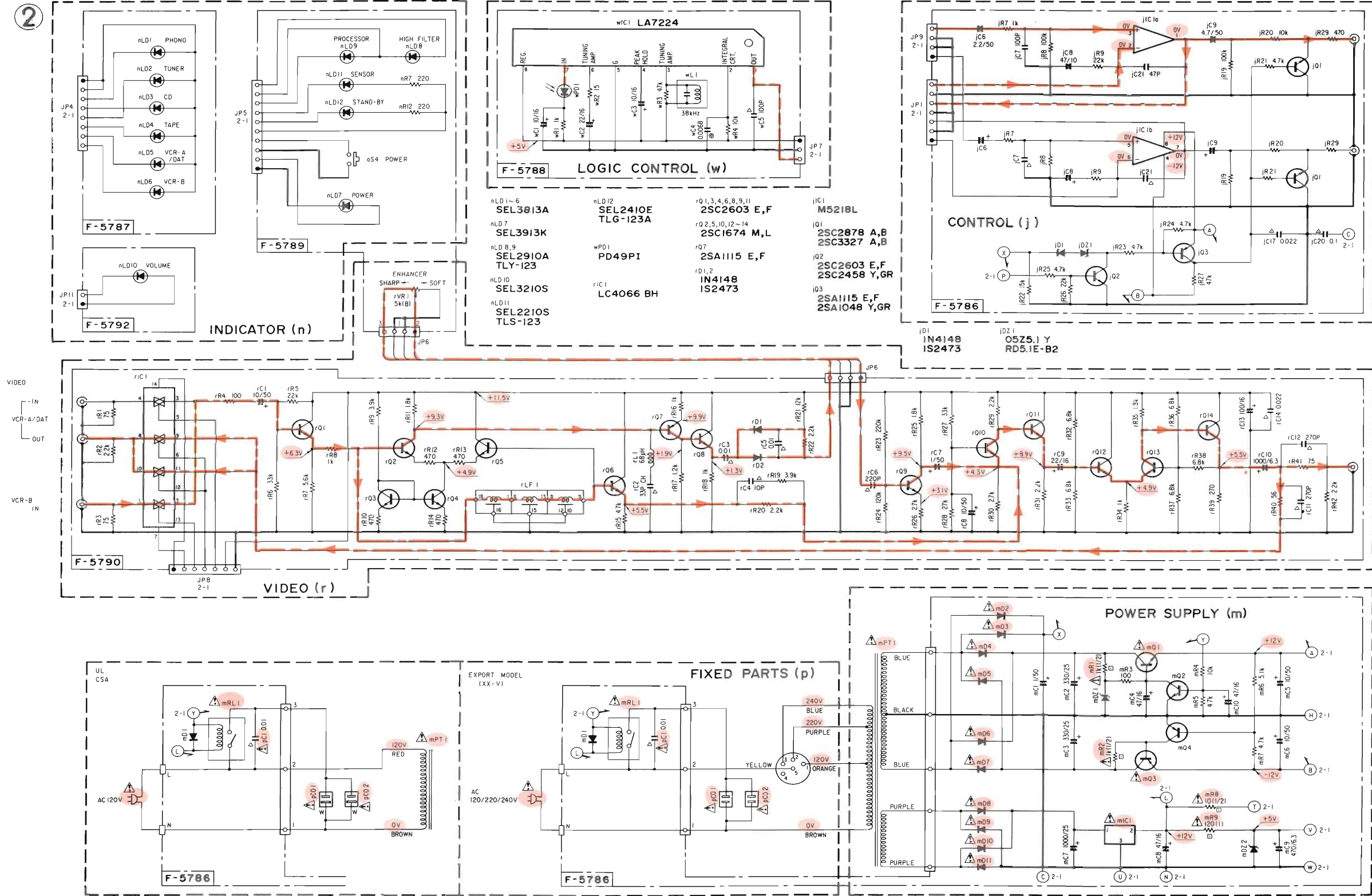
Input level 1 = 2.0V or more
 Input level 0 = 0.7V or less



2
3
4
5

5-2. Logic Control, Power Supply, Section

• Design and specifications subject to change without notice for improvement.
 • La présentation et les spécifications sont susceptibles d'être modifiées sans préavis par suites d'améliorations éventuelles.
 • Änderungen, die dem technischen Fortschritt dienen, bleiben vorbehalten.



- | | | | |
|-------------------------------|-------------------------------|---------------------------------|------------------------------------|
| nLD1~6
SEL3813A | nLD12
SEL2410E
TLG-123A | r01,3,4,6,8,9,11
2SC2603 E,F | jIC1
M5218L |
| nLD7
SEL3913K | wpD1
PD49PI | r02,5,10,12~14
2SC1674 M,L | jO1
2SC2878 A,B
2SC3327 A,B |
| nLD8,9
SEL2910A
TLY-123 | ic1
LC4066 BH | r07
2SA1115 E,F | jO2
2SC2603 E,F
2SC2458 Y,GR |
| nLD10
SEL3210S | | rD1,2
IN4148
IS2473 | jO3
2SA1115 E,F
2SA1048 Y,GR |
| nLD11
SEL2210S
TLS-123 | | | |

SYMBOL OF FUNCTION
 (j) CONTROL
 (m) POWER SUPPLY
 (n) INDICATOR
 (p) FIXED PARTS
 (r) VIDEO
 (w) LOGIC CONTROL

SYMBOL
 △ Ceramic Capacitor
 ▽ Barrier Layer Capacitor
 ⊙ Film Capacitor
 □ Non-Inflammable Resistor

RESISTORS
 Are in ohms, 1/4 Watts, ±5% Tolerance
 Unless Otherwise Noted, k = kΩ, M, MΩ

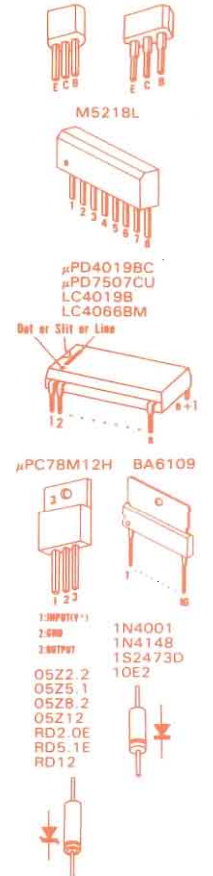
CAPACITORS
 Are in μF, Unless Otherwise Noted, P, pF

Electrolytic Capacitor
 Capacitance (μF) / Volt (V)

Each D.C. Voltage shows the nominal value
 in volts at no input signal

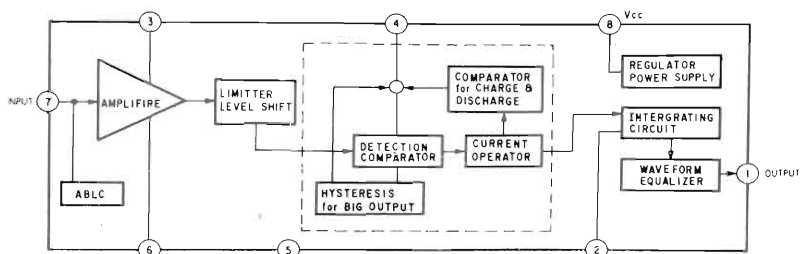
⚠ is Safety Part
 Use only replacement parts recommended
 by the manufacturer

- 2SA934 2SA1048
- 2SA952 2SA1115
- 2SC2001 2SC2458
- 2SC2060 2SC2603
- 2SC2878 2SC3327



- | | |
|--------|--------------|
| mQ1 | 2SC2001 M,L |
| | 2SC2060 P,Q |
| mQ2 | 2SC2603 E,F |
| | 2SC2458 Y,GR |
| mQ3 | 2SA952 M,L |
| | 2SA934 P,Q |
| mQ4 | 2SA1115 E,F |
| | 2SA1048 Y,GR |
| mC1 | μPC78M12H |
| mD1~11 | IN4002 |
| | 10E2 |
| mD2 1 | 05Z12-Y |
| | RD12E-B3 |
| mD2 2 | 05Z5.1-Y |
| | RD5.1E-B2 |

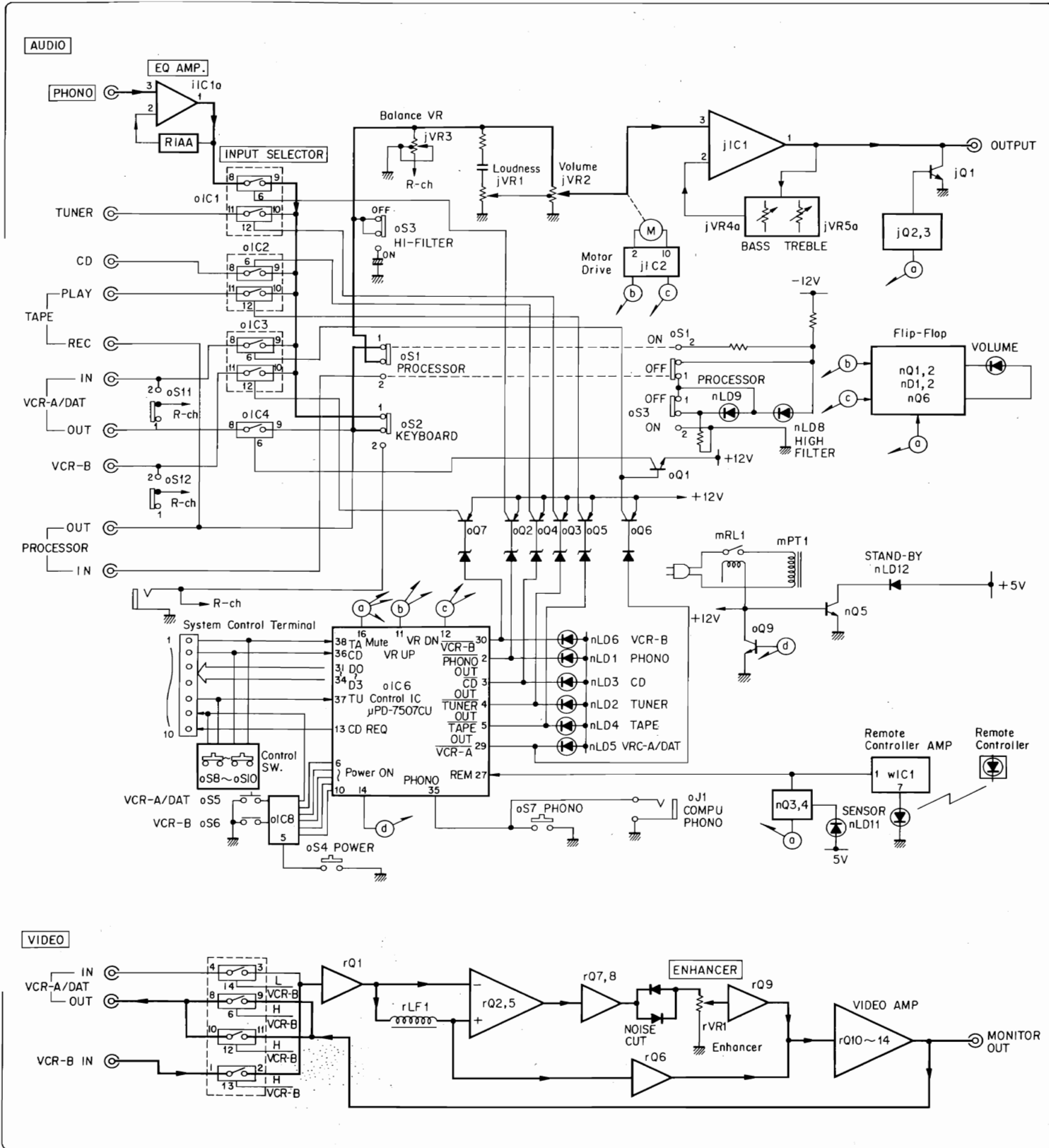
•LA7224 (Remote Control Receiver IC)



— Signal Line
 - - - N.F.B. Line and R.C.U. Signal Line
 — Video Signal (VCR-B → VCR-A)

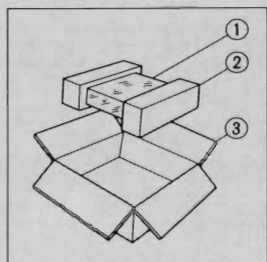
1
2
3
4
5

6. BLOCK DIAGRAM



7. PACKING LIST

Parts No.	Stock No.	Description
1	84519200	Vinyl Bag
2	84519300	Styrofoam Packing
3	84520800	Carton Case



8. ACCESSORY LIST

Stock No.	Description
07193400	PJP Cord
or 38103300	PJP Cord
	Remote Controller RS-1000
	Dry Battery SUM-3K
48837900	10P ST Connection Cable
49026500	Operating Instruction



SANSUI ELECTRIC CO., LTD.:

SANSUI ELECTRONICS CORPORATION:

SANSUI ELECTRONICS (U.K.) LTD.:
SANSUI ELECTRONICS G.M.B.H.:

14-1, Izumi 2-chome, Suginami-ku, Tokyo 168 Japan
PHONE: (03) 324-8891/TELEX: 232-2076 (International Division)
1250 Valley Brook Ave. Lyndhurst, N.J. 07071 U.S.A.
17150 South Margay Ave. Carson, California 90746 U.S.A.
3036 Koapaka Street, Honolulu, Hawaii 96819 U.S.A.
Unit 10A, Lyon Industrial Estate, Rockware Avenue, Greenford, Middx UB6, OAA, England
Pau Ehrich Strasse 8, 6074 Rödermark 2, West Germany

(SM1-348)

(1987, 4.M) <Stock No. 36530400>



SERVICE MANUAL SUPPLEMENT EDITION

C-1000

STEREO CONTROL CENTER

NOTE

This edition is supplement for C-1000 Service Manual previously issued, and applies to C-1000 with NEW SANSUI MARK on the front panel.

For servicing, please refer to this edition together with original C-1000 Service Manual.

CAUTION

1. Parts identified by the Δ symbol on the schematic diagram and the parts list are critical for safety. Use only replacement parts that have critical characteristics recommended by the manufacturer.
2. Make leakage-current or resistance measurements to determine that exposed parts are acceptably insulated from the supply circuit before returning the appliance to the customer.

NOTICE :

1. The symbols, UL, CSA, EU, EG, ES, SS and XX <EXPORT> on the parts list mean followings respectively.

UL.....Manufactured for U.S.A market.	CSA.....Manufactured for Canadian market.
EU.....Manufactured for European market.	ES.....Manufactured for Swiss market.
EG.....Manufactured for F.R. Germany market.	SS.....Manufactured for Saudi Arabia market.
XX<EXPORT>.....Standard Version.	NON MARK.....Common Parts.

2. On the parts list, the changed parts are specified by “#” mark on top of the Parts No.

1. PARTS LIST OF BOARD

1-1. F-5791 Volume Board (Stock No. 01047601)

Parts No.	Stock No.	Description
•IC		
jIC2	07233100	BA6109
•Zener Diode		
jDZ2	46111500 or 46825000	05Z5.6-Y RD5.6E-B2
# jVR2	48977500	150K Ω (B) V.R. with Motor, VOLUME

1-2. F-5789 Power Sw., Board

Parts No.	Stock No.	Description
•LED		
nLD7	48849300	SEL3913K, POWER
nLD8	48835400	SEL2910A, HI-FILTER
	or 48836000	TLY123, HI-FILTER
nLD9	48835400	SEL2910A, PROCESSOR
	or 48836000	TLY123, PROCESSOR
nLD11	46176900	TLS-123, SENSOR
	or 46470200	SEL2210S, SENSOR
# nLD12	46176900	TLS123, STAND-BY
#	or 46470300	SEL2210S, STAND-BY
Δ oS4	48061700	Push SW., POWER
rVR1	83012500	5k Ω (B) V.R., ENHANCER

2. OTHER PARTS

Parts List <Front View>

Parts No.	Stock No.	Description
1	84512300	Side Panel,Left(XX•SS•EU•EG•ES)
	84520100	Side Panel,Left(UL•CSA)
2	84504000	Bonnet
3	83012800	50K Ω V.R.,BASS•TREBLE
# 4	84564500	Knob,BASS•TREBLE•BALANCE•LOUDNESS
5	83013000	250K Ω V.R.,BALANCE
6	83012900	150K Ω V.R.,LOUDNESS
7	84512200	Side Panel,Right(XX•SS•EU•EG•ES)
	84520000	Side Panel,Right(UL•CSA)
8	84532700	Knob Ass'y,VOLUME
9	83012400	1P Terminal with Switch,R
10	83012300	1P Terminal with Switch,L
11	84510700	Push Knob,KEYBOARD
12	83012100	Push Switch,KEYBOARD
13	83013100	Push Switch,PHONO•TUNER•CD•TAPE•VCR-A/DAT•VCR-B
# 14	84567900	VCR-B Knob
# 15	84567800	VCR-A/DAT Knob
# 16	84567700	TAPE Knob
# 17	84567600	CD Knob
# 18	84567500	TUNER Knob
# 19	84567400	PHONO Knob
20	83012000	Push Switch,HI-FILTER•PROCESSOR
21	84508900	Push Knob,HI-FILTER•PROCESSOR
22	83012500	5K Ω Slide V.R.,ENHANCER
# 23	84576300	Slide Knob,ENHANCER
# 24	84567000	POWER Knob
25	84505100	Spring,POWER Knob
△ 26	48061700	Push Switch,POWER
# 27	37503001	Front Panel Ass'y(XX•SS•CSA•EU•EG•ES)
#	37503002	Front Panel Ass'y(UL)

Parts List <Top View>

Parts No.	Stock No.	Description
1	22301510	Ground Terminal
2	83012200	1P Terminal,MONITOR•VCR-A/DAT•
3	84514000	AC Cord Cover
# △ 4	83035600	Power Supply Cord(XX)
△	83024600	Power Supply Cord-polarized(XX•UL•CSA)
△	48837700	Power Supply Cord(SS)
# △	83044900	Power Supply Cord(EU•EG)
# △	83003700	Power Supply Cord(ES)
△ 5	83004100	AC Outlet(XX•SS)
△	83002200	AC Outlet-polarized(XX•UL•CSA)
△	83002500	AC Outlet(EU•EG•ES)
△ 6	48175200	Voltage Selector(XX•SS)
7	48313900	10P System Control Terminal
8	83003900	2P Terminal,OUTPUT•VCR-B•PHONO
9	83004300	4P Terminal,PROCESSOR•VCR-A•DAT•TAPE•TUNER
10	83012700	Slide Switch,MODE
11	83012600	Mini Jack,COMPU PHONO
12	84527700	Leg

3. PACKING LIST

Parts List

Parts No.	Stock No.	Description
1	84519200	Vinyl Bag
2	84519300	Styrofoam Packing
# 3	84565900	Carton Case

4. ACCESSORY LIST

Parts List

	Stock No.	Description
#	48802200	Pin Plug Cord
#	or 46118600	Pin Plug Cord
#	—	RS-2000 Remoto Controller
#	—	SUM-3K Dry Battery
#	48837900	10P ST Connection Cable
#	84453300	Operating Instruction(*E•F•S•I)
#	84453800	Operating Instruction(*G•Sw)

*Note : E•F•S•I; English•French•Spanish
and Italian Version
G•Sw; German and Swedish Version



SANSUI ELECTRIC CO., LTD.:

SANSUI ELECTRONICS CORPORATION:

SANSUI ELECTRONICS G.M.B.H.:

山水電気株式会社

14-1, Izumi 2-chome, Suginami-ku Tokyo 168 Japan

PHONE: (03) 324-8891/TELEX: 232-2076 (International Division)

1250 Valley Brook Ave. Lyndhurst, N.J. 07071 U.S.A.

17150 South Margay Ave. Carson, California 90746 U.S.A.

3036 Koapaka Street. Honolulu, Hawaii 96819 U.S.A.

Paul Ehrlich Strasse 8, 6074 Rödermark 2, West Germany

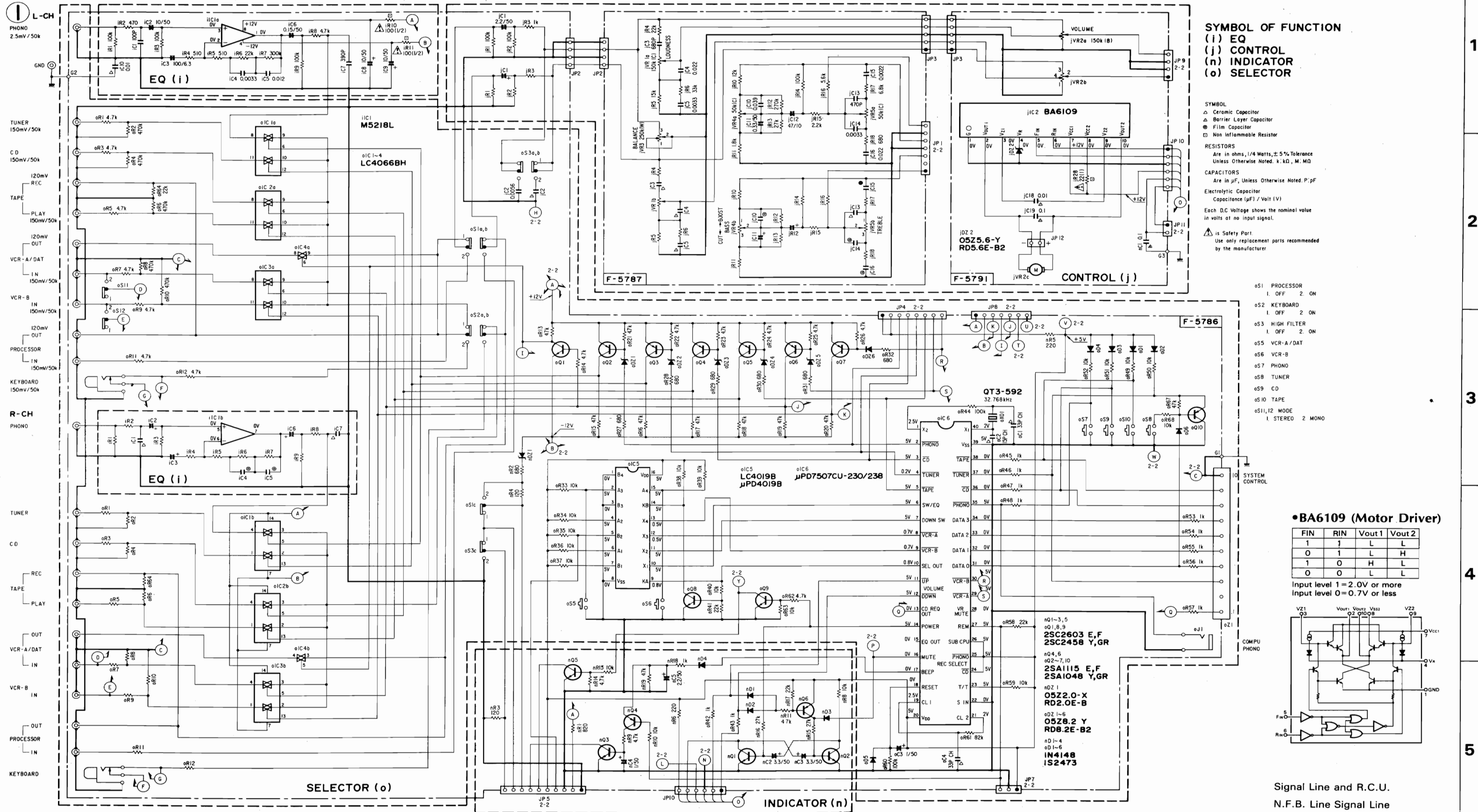
東京都杉並区和泉2-14-1(〒168)

(SM2-80)

Printed in Japan (1988.06.M) <Stock No.36539800>

5. SCHEMATIC DIAGRAM 5-1. EQ. SW., Control AMP. Section

• Design and specifications subject to change without notice for improvement.
 • La présentation et les spécifications sont susceptibles d'être modifiées sans préavis par suites d'améliorations éventuelles.
 • Änderungen, die dem technischen Fortschritt dienen, bleiben vorbehalten.



SYMBOL OF FUNCTION
 (i) EQ
 (j) CONTROL
 (n) INDICATOR
 (o) SELECTOR

SYMBOL
 Δ Ceramic Capacitor
 ▽ Barrier Layer Capacitor
 ● Film Capacitor
 □ Non Inflammable Resistor

RESISTORS
 Are in ohms, 1/4 Watts, ±5% Tolerance
 Unless Otherwise Noted. k: kΩ, M: MΩ

CAPACITORS
 Are in μF, Unless Otherwise Noted. P: pF

Electrolytic Capacitor
 Capacitance (μF) / Volt (V)

Each D.C. Voltage shows the nominal value
 in volts at no input signal.

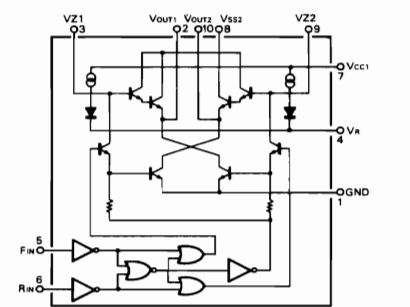
▲ is Safety Part.
 Use only replacement parts recommended
 by the manufacturer.

- oS1 PROCESSOR
 1. OFF 2. ON
- oS2 KEYBOARD
 1. OFF 2. ON
- oS3 HIGH FILTER
 1. OFF 2. ON
- oS5 VCR-A/DAT
- oS6 VCR-B
- oS7 PHONO
- oS8 TUNER
- oS9 CD
- oS10 TAPE
- oS11,12 MODE
 1. STEREO 2. MONO

•BA6109 (Motor Driver)

FIN	RIN	Vout1	Vout2
1	1	L	L
0	1	L	H
1	0	H	L
0	0	L	L

Input level 1 = 2.0V or more
 Input level 0 = 0.7V or less



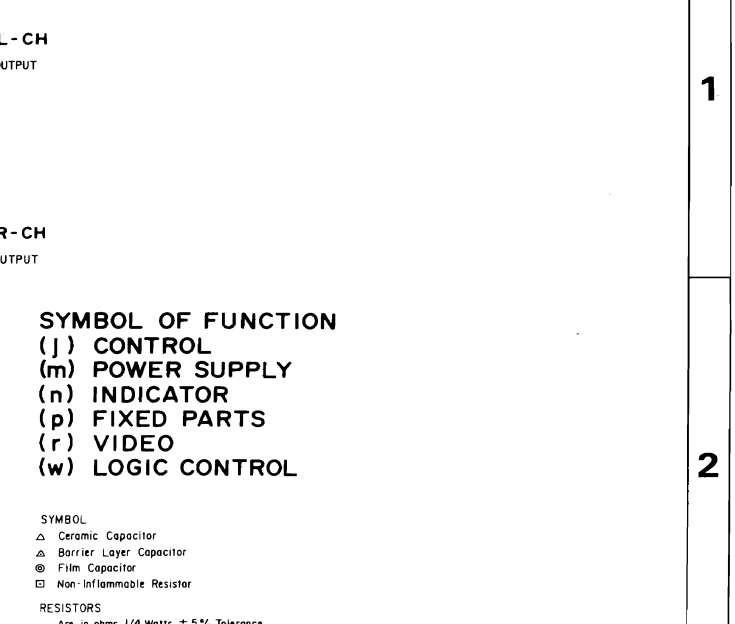
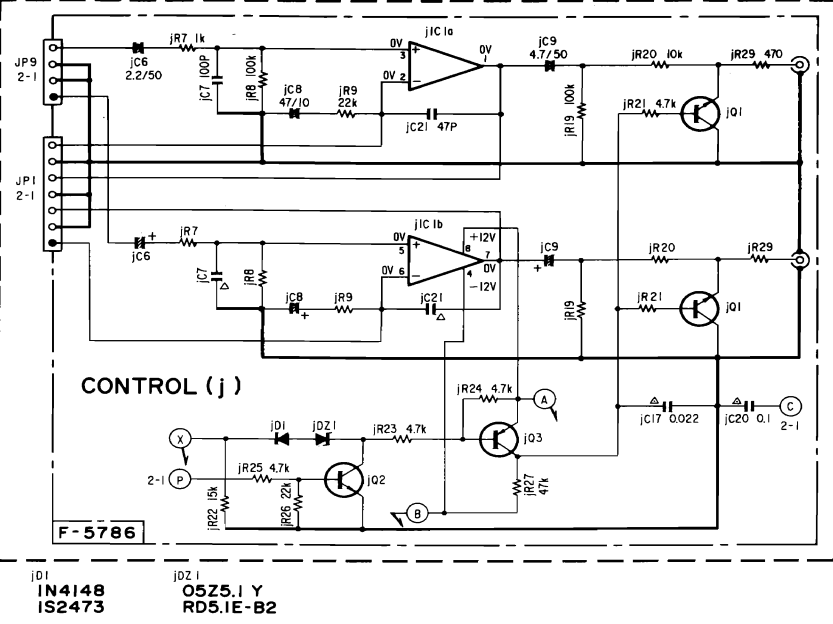
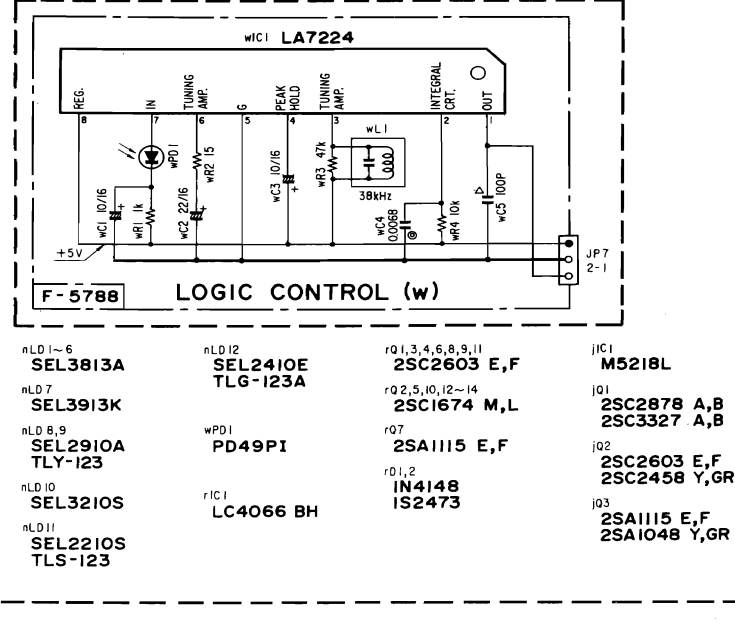
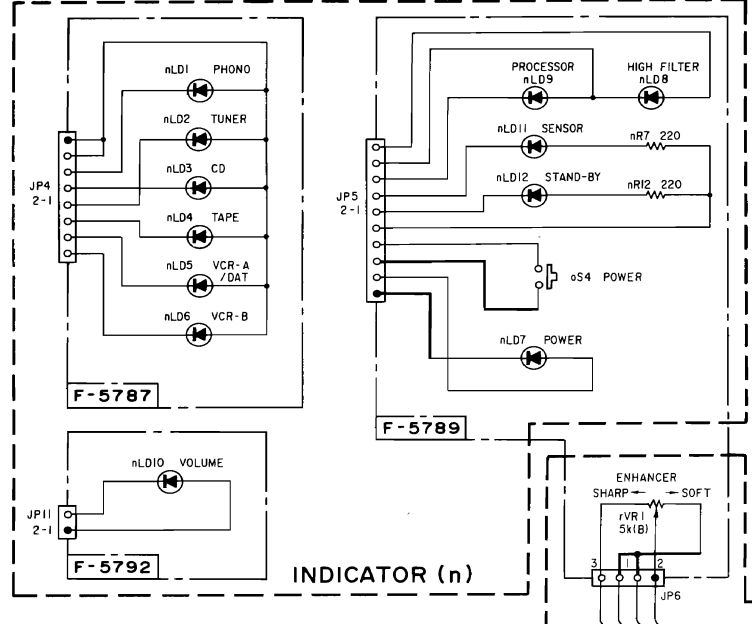
Signal Line and R.C.U.
 N.F.B. Line Signal Line

1
2
3
4
5
6

5-2. Logic Control, Power Supply, Section

*Design and specifications subject to change without notice for improvement.
 *La présentation et les spécifications sont susceptibles d'être modifiées sans préavis par suites d'améliorations éventuelles.
 *Änderungen, die dem technischen Fortschritt dienen, bleiben vorbehalten.

2



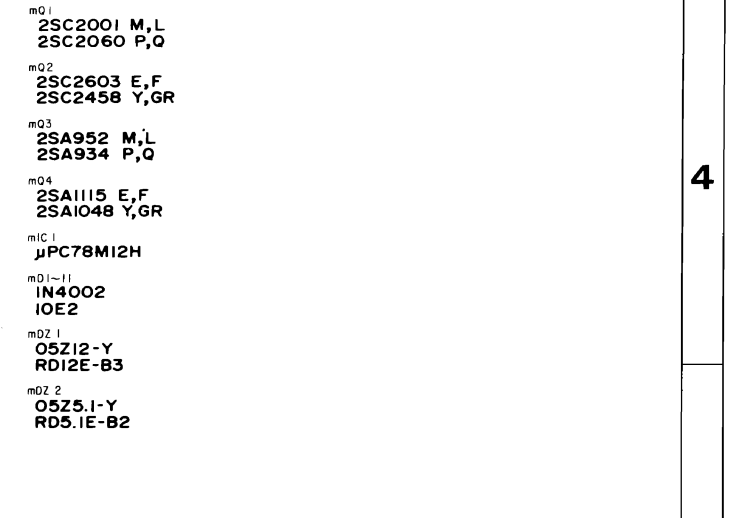
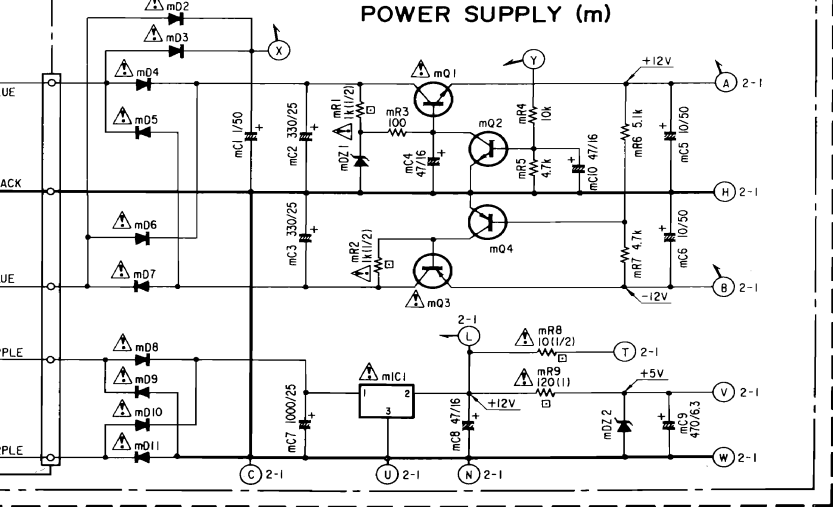
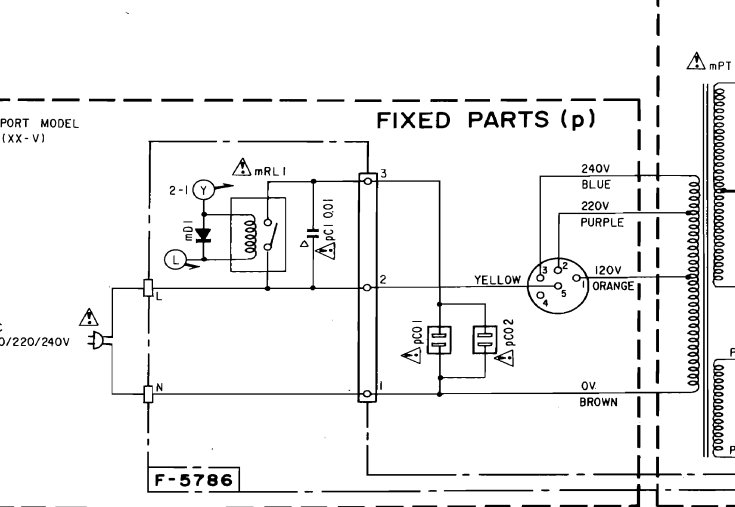
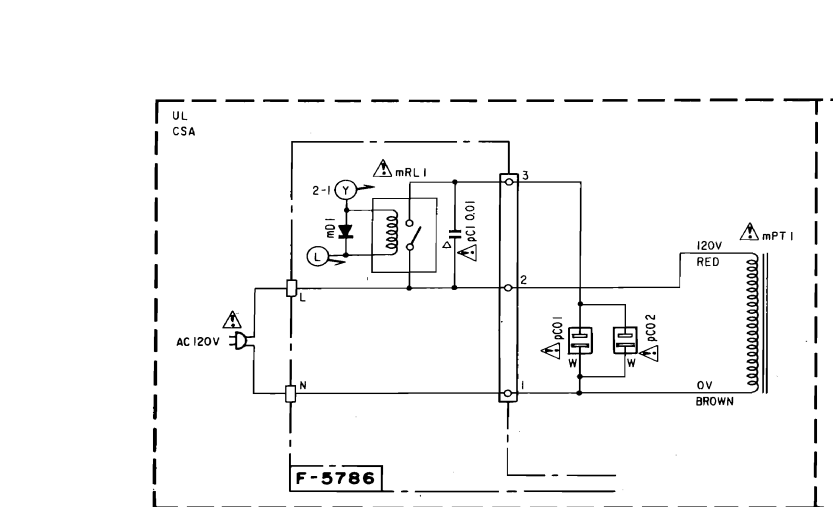
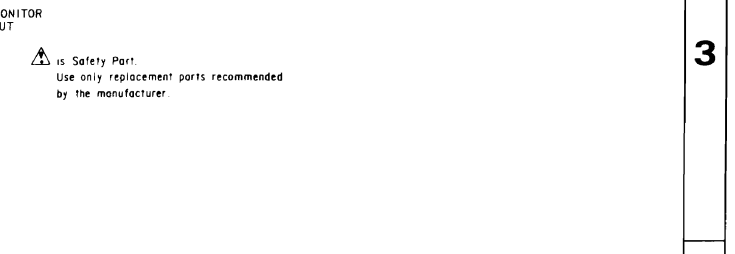
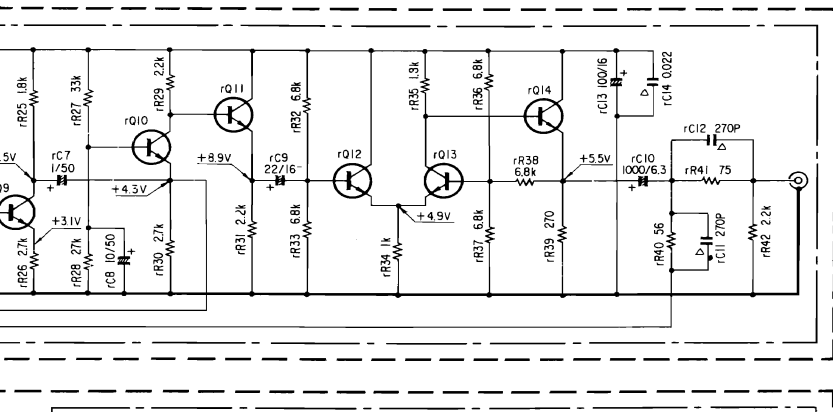
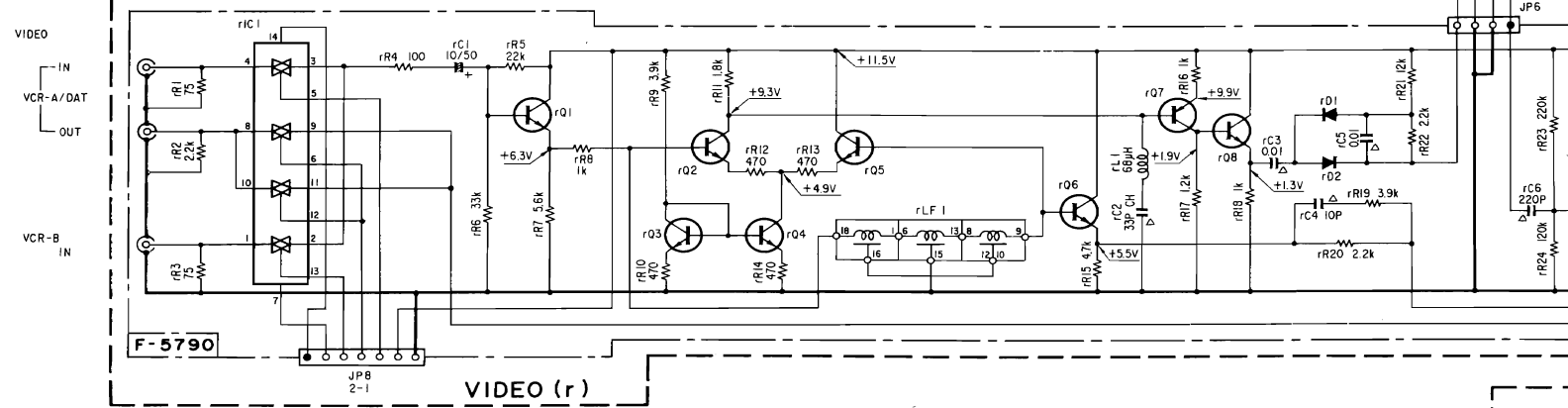
SYMBOL OF FUNCTION
 (j) CONTROL
 (m) POWER SUPPLY
 (n) INDICATOR
 (p) FIXED PARTS
 (r) VIDEO
 (w) LOGIC CONTROL

SYMBOL
 △ Ceramic Capacitor
 ▴ Barrier Layer Capacitor
 ⊖ Film Capacitor
 □ Non-Inflammable Resistor

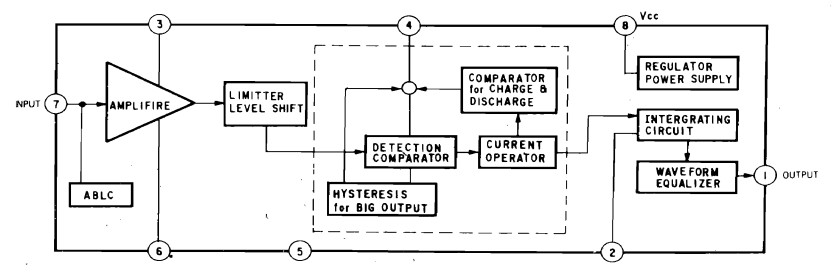
RESISTORS
 Are in ohms, 1/4 Watts, ±5% Tolerance
 Unless Otherwise Noted, k: kΩ, M: MΩ

CAPACITORS
 Are in μF, Unless Otherwise Noted P: pF
 Electrolytic Capacitor
 Capacitance (μF) / Volt (V)

Each D.C. Voltage shows the nominal value in volts at no input signal.



•LA7224 (Remote Control Receiver IC)



Signal Line
 N.F.B. Line and R.C.U. Signal Line
 Video Signal (VCR-B → VCR-A)

1

2

3

4

5